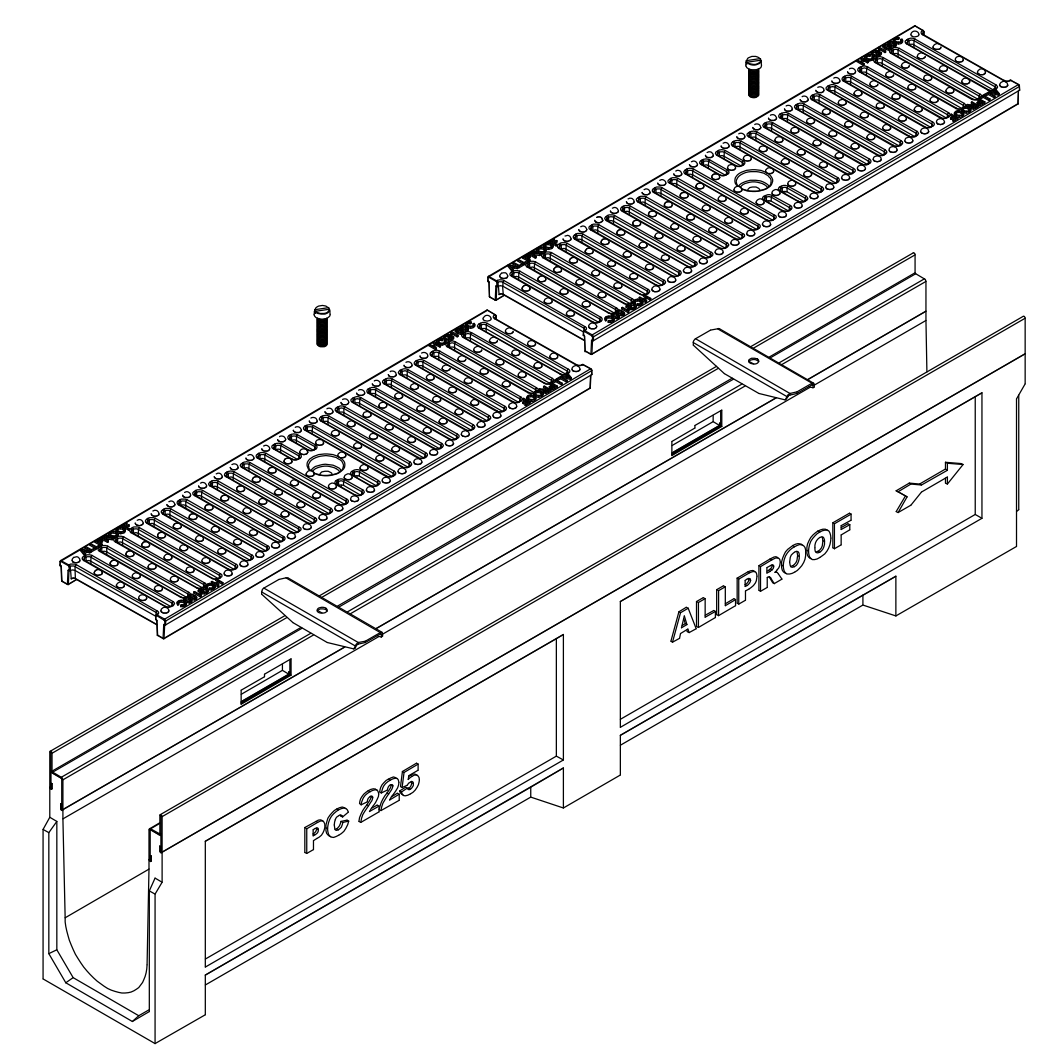
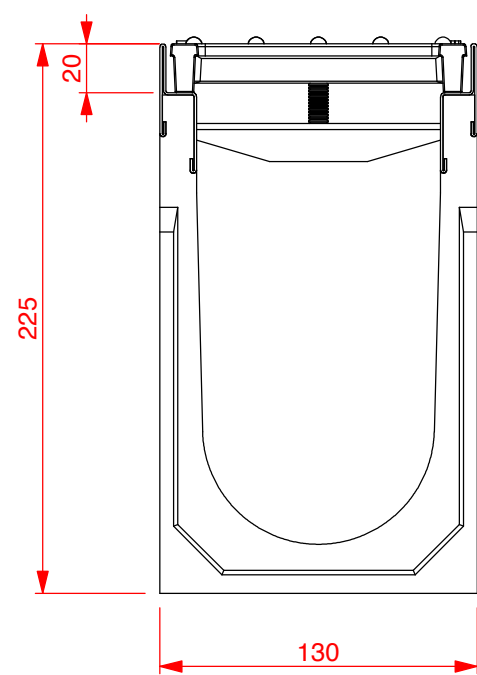
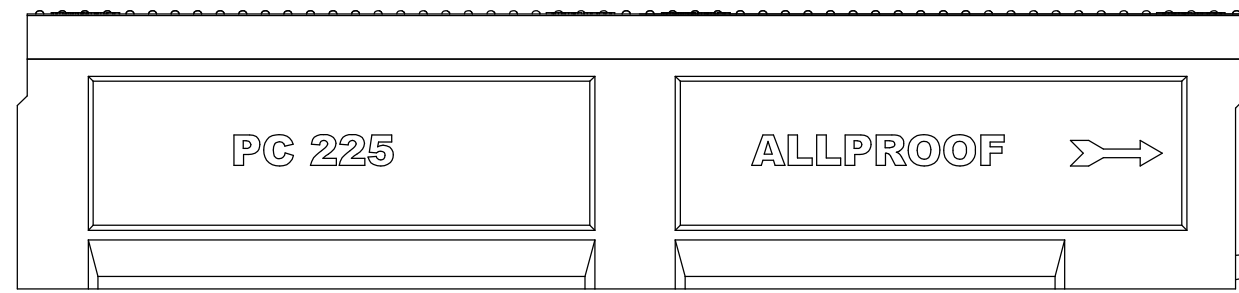
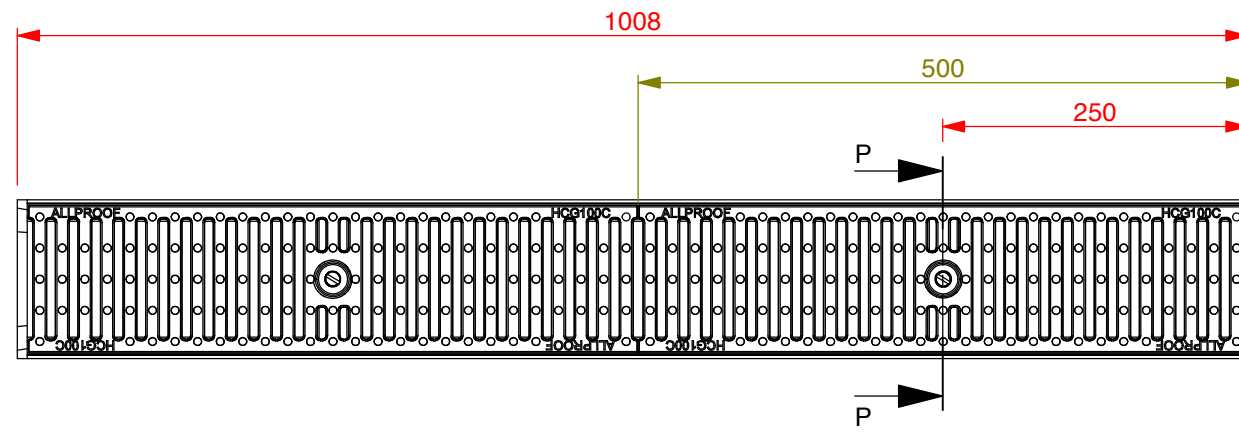


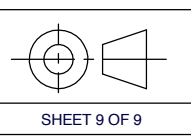
DESCRIPTION	
CODE	FINISH
PC225SSHCI	CAST IRON
PC225HCI	CAST IRON



REVISION	CHANGE	DESCRIPTION	SL	DATE
XXX	XXX	XXX	SL	XXX

DO NOT SCALE DRAWING		TITLE	
REQUESTED	DATE	PC225 CHANNEL HEELPROOF CAST IRON GRATE	
XXX	XXX		
DRAWN	DATE		
S.L.	XXX	APPLICABLE STANDARD(S):	
APPROVED	DATE	DRAWING REF NUMBER	
MATERIAL		PC225SSHCI/ PC225HCI	
PC, STAINLESS STEEL, CAST IRON		SCALE (UOS) 1:5	

TOOL NUMBER	0.0
PART WEIGHT(GRAMS)	0.0
FILE	S/CAD FILES/2016/DIVERSE/ASSEM PC225



DISCLAIMER - THE DESIGN SUGGESTION IS PROVIDED FOR EVALUATION PURPOSES ONLY.
 IT IS NOT TO BE CONSIDERED A FULL DESIGN AS WE ARE NOT THE CONSULTING ENGINEERS, WE ARE MANUFACTURERS. WE ARE NOT PRIVY TO ALL THE INFORMATION PERTAINING TO THIS MATTER AND WE HAVE NO CONTROL OVER THE PROJECT INSTALLATION OF THE PRODUCT. THE DESIGN SUGGESTION IS PROVIDED WITHOUT OBLIGATION. DESIGN IS TO BE CONFIRMED AND APPROVED BY THE ARCHITECT, HYDRAULICS ENGINEER, OR PROJECT MANAGER. ACCURATE MEASUREMENTS SHOULD BE CONFIRMED BY THE PERSON APPROVING THE DESIGN. ALLPROOF ACCEPTS NO LIABILITY FOR THE IMPROPER USE OF THE DESIGN SUGGESTION.